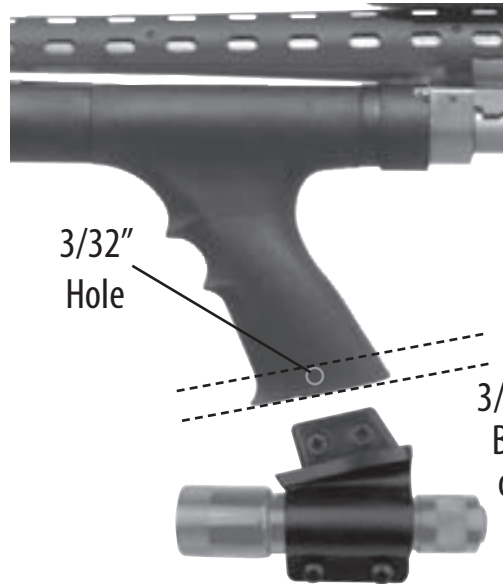


FITS: 12/20GA Mossberg 500/590, Remington 870,
Winchester 1200/1300, Maverick 88

Thank you for purchasing one of Advanced Technology Inc.'s Shotforce Components!
Please fill out the enclosed Unconditional Lifetime Warranty card and mail it within 30 days of purchase.



INSTALLATION INSTRUCTIONS

MAKE SURE YOUR FIREARM IS UNLOADED BEFORE STARTING!

- 1) Place light mount in the bottom of grip. Drill a 3/32" hole through one side of the grip and all the way through the light mount. Maximum depth 1", 3/8" from bottom and in the center of the textured grip area. Counter sink the screw head for flush mounting. This hole may be drilled from either side, **however it is best to place screw head on the opposite of the palm of your hand.**
- 2) Install the supplied mounting screw and tighten.
- 3) The Light Mount fits any 1" diameter flashlight and includes an adapter to fit small AA mini flashlights. Slide flashlight into the mounting tube and tighten the two screws.

OTHER PRODUCTS AND ACCESSORIES FROM ADVANCED TECHNOLOGY, INC.

Shotshell Holder

\$14⁹⁹
MSRP



Top Folding Stock with Rear Pistol Grip

\$69⁹⁹
MSRP

Pistol Grip Buttstock

\$44⁹⁹
MSRP

Deluxe Heatshield with Ghost Ring Sights

\$28⁴⁹
MSRP

Moss/Rem/Win ShotForce Tactical Stock with Free ButtPad

\$69⁹⁹
MSRP



\$24⁹⁹
MSRP

\$24⁹⁹
MSRP

Marine Finish Heatshield w/Ghost Ring Sights

\$34⁹⁹
MSRP

\$20⁹⁹
MSRP

\$15⁹⁹
MSRP

\$20⁹⁹
MSRP

H&R/NEF

Transform your original 12-16-20 Gauge and .410 H&R or NEF Single Shot Shotguns with SHOTFORCE! No Gunsmithing! Simply shorten barrel (minimum 18 1/2"), remove old wood, then re-install SHOTFORCE components.

\$15⁹⁹
MSRP



\$34⁹⁹
MSRP

\$12⁹⁹
MSRP



\$69⁹⁹
MSRP

\$28⁴⁹
MSRP

\$15⁹⁹
MSRP

\$15⁹⁹
MSRP

